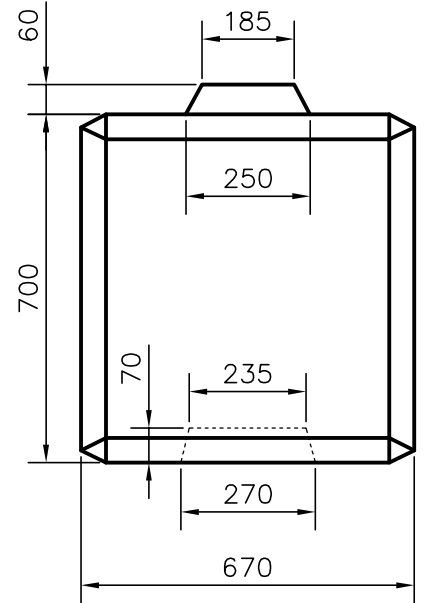
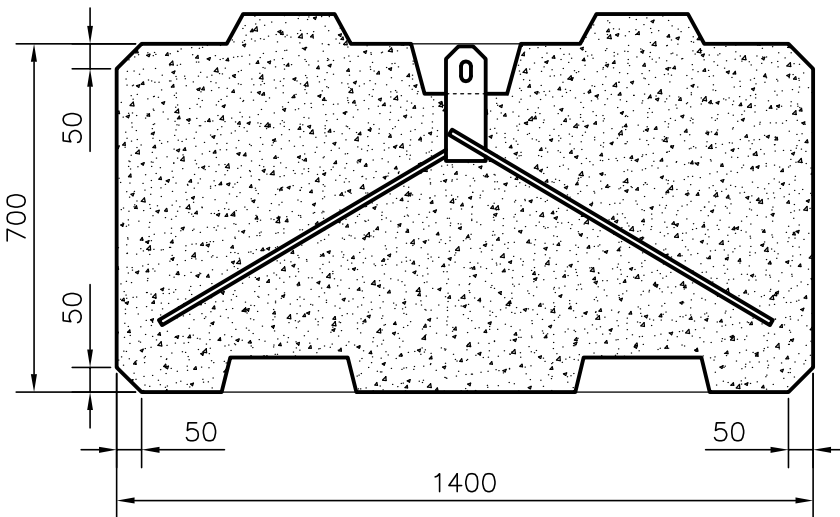


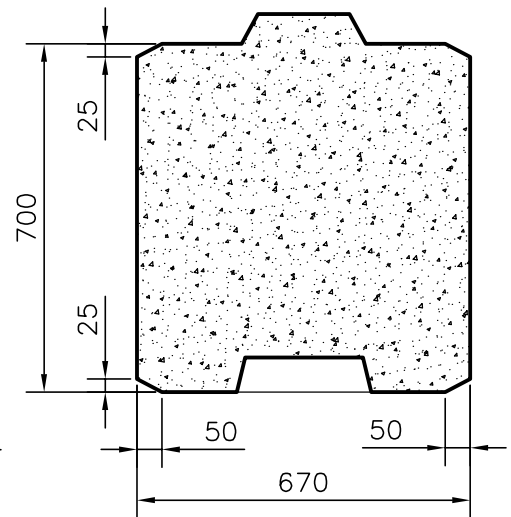
Front View



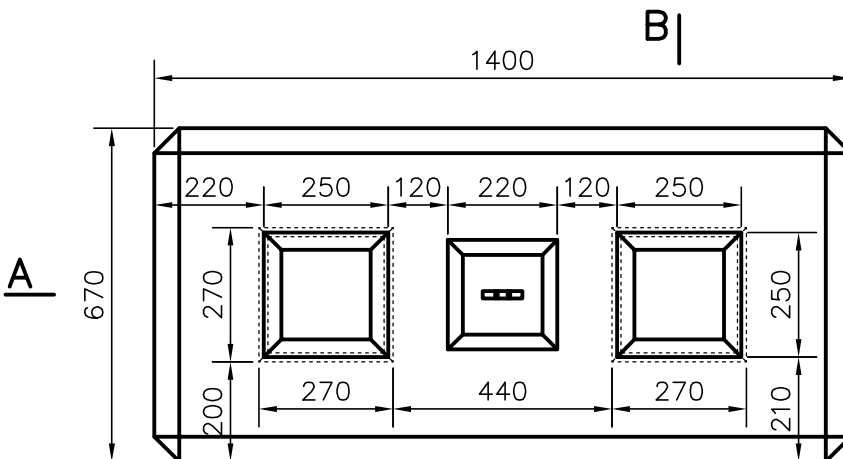
Side View



A-A




B-B



Plan View

Unit Weight = 1.6T

Revision	Description	By	Date
 Drumduerry, Bunclody, Co. Wexford Ph: +353 5393 77120; fax: +353 5393 76330 info@drumduerryagg.ie - www.drumduerryagg.ie			
Dwg Title:			
Details Of Typical Concrete Block			
Scale:	1:5	Date:	30/08/2009
Drawn by:	K.S.	Job No.:	N/A
Status:	Production	Dwg No.:	CO1
		Rev.:	A
<small>Drawings, Specifications, Design Calculations & Measurements supplied by Drumduerry Precast/Drumduerry Aggregate Ltd. are copyright and shall not be used, copied or issued to third parties for the purpose of design or procurement of alternative quotations except with the written consent of Drumduerry Precast/Drumduerry Aggregate Ltd.</small>			