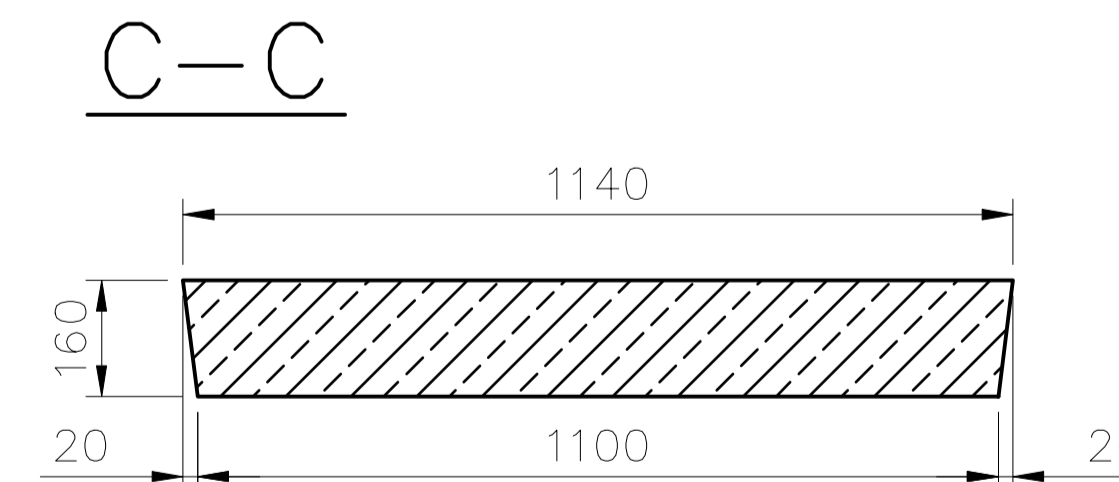
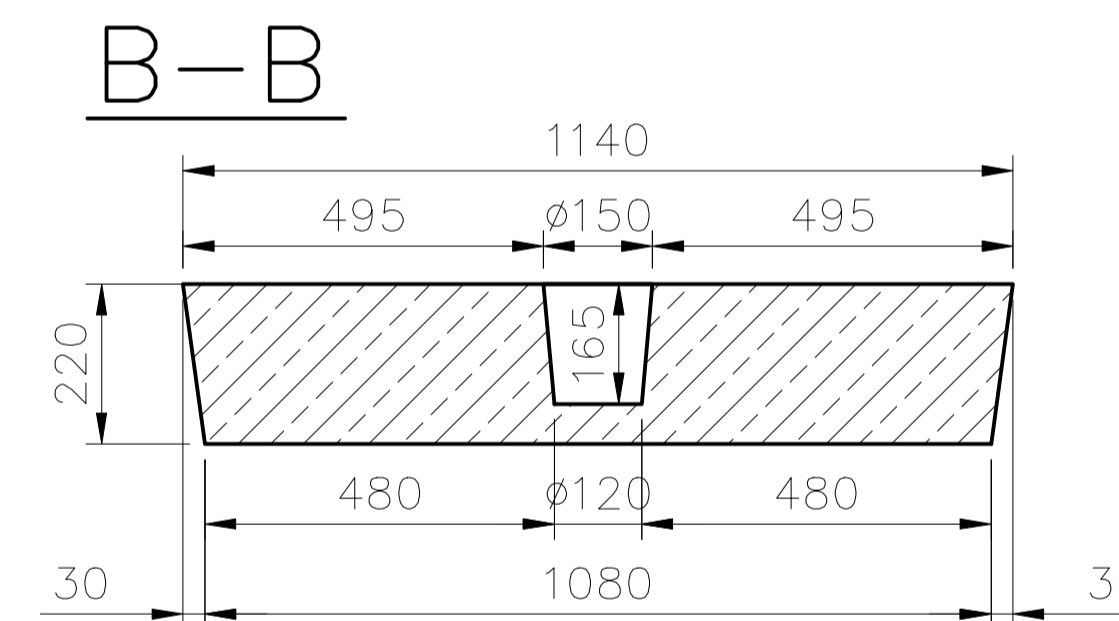
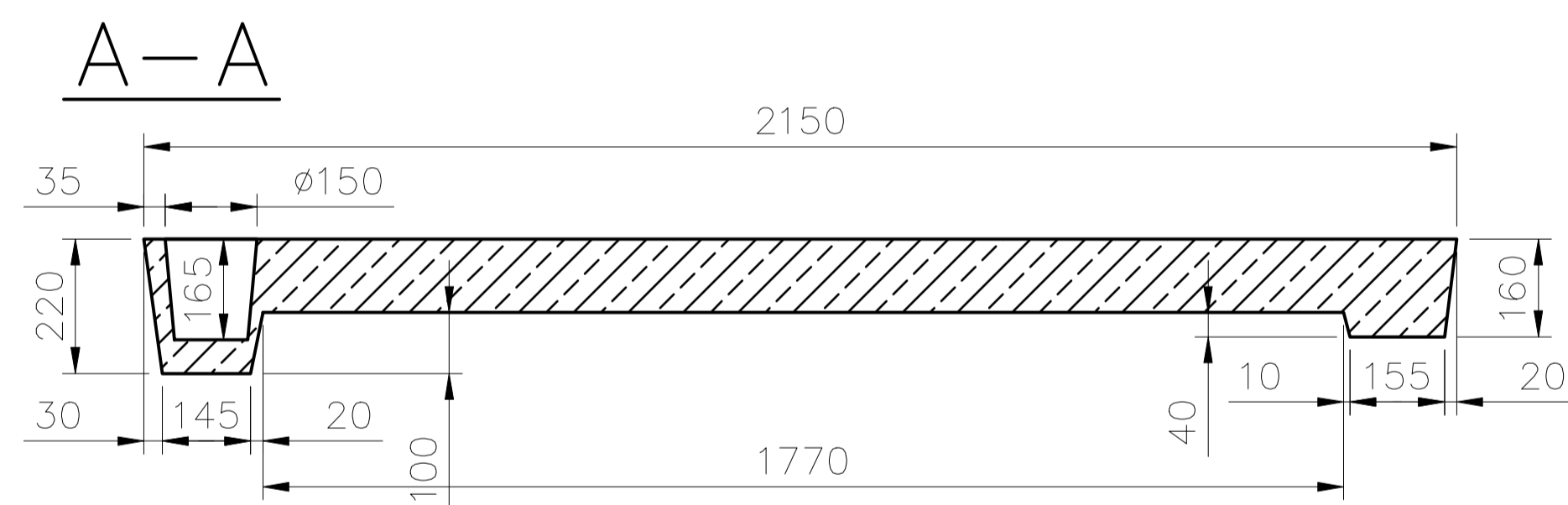
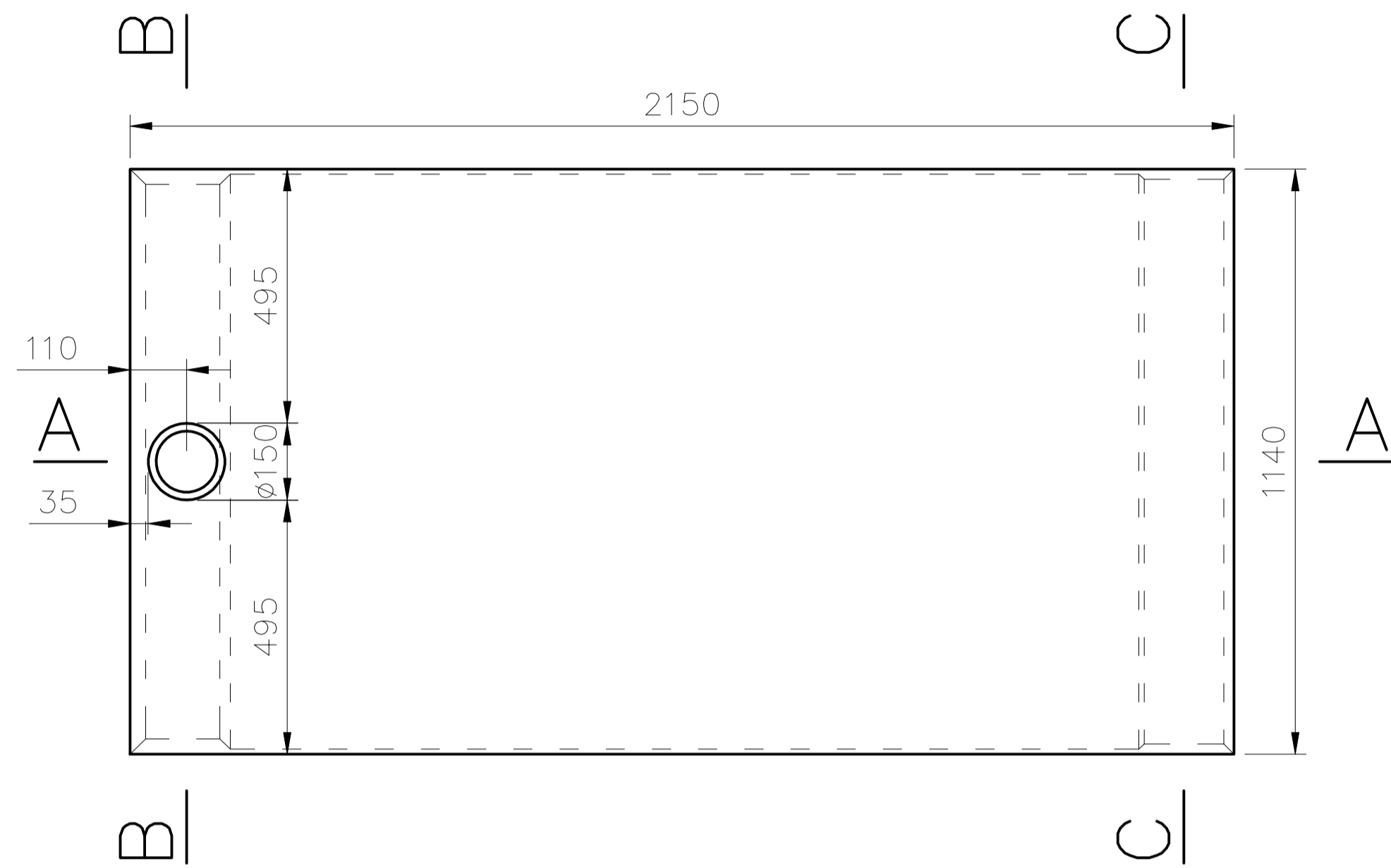



Cubicle Bed 7' 0"



NOTES:

1. All products are designed and manufactured to the highest quality and conforms to all British standard specifications BS 8110 and BS 5502, Irish standard specification I.S. 249: 1992 and Department of Agriculture specifications for agriculture buildings and tanks,
2. Concrete design strength – C32/40,
3. Weight of the bed – 0.77 Tonne,
4. High quality finish and non-slip surface for greater cattle comfort.

Revision	Description	By	Date
 Drumderry, Bunclody, Co. Wexford Ph: +353 5393 77720; fax: +353 5393 76330 info@drumderryagg.ie; www.drumderryagg.ie			
Dwg Title:			
Details of 7' 0" cubicle bed			
Scale:	1:10/A1	Date:	24/08/2010
Drawn by:	K.S.	Job No.:	N/A
		Dwg No.:	CB02
		Rev.:	B
<small>Drawings, Specifications, Design Calculations & Measurements supplied by Drumderry Precast/Drumderry Aggregate Ltd. are copyright and shall not be used, copied or issued to third parties for the purposes of design or procurement of alternative quotations except with the written consent of Drumderry Precast/Drumderry Aggregate Ltd.</small>			