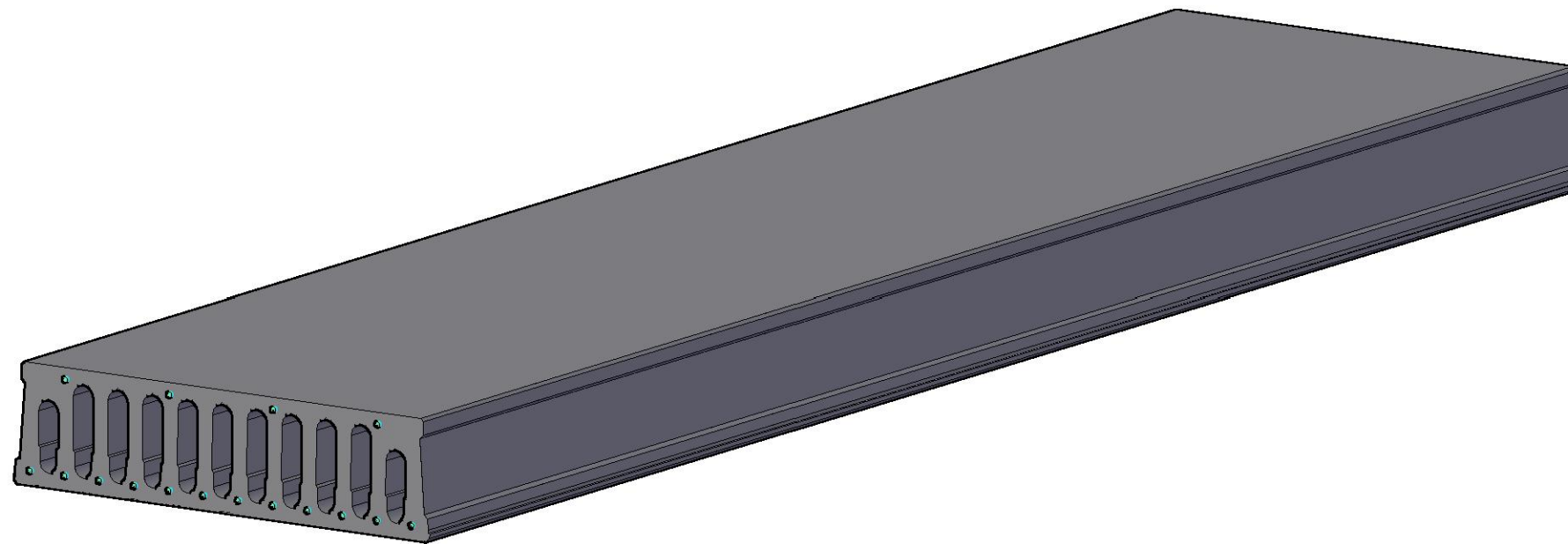


300 mm Hollowcore – Self weight 0,450 T/m<sup>2</sup>



Drumderry Aggregate Ltd. T/a  
**DRUMDERRY PRECAST**  
 Drumderry, Bunclody, Co. Wexford  
 Ph: +353 5393 77720; fax: +353 5393 76330  
 info@drumderryagg.ie; www.drumderryagg.ie

Dwg Title:  
**300mm Hollowcore Slab Info**

Scale: N/A	Date: 3/10/2008	Drawn by: K.S.
------------	-----------------	----------------

Drawings, Specifications, Design Calculations & Measurements supplied by Drumderry Precast/Drumderry Aggregate Ltd. are copyright and shall not be used, copied or issued to third parties for the purposes of design or procurement of alternative quotations except with the written consent of Drumderry Precast/Drumderry Aggregate Ltd.