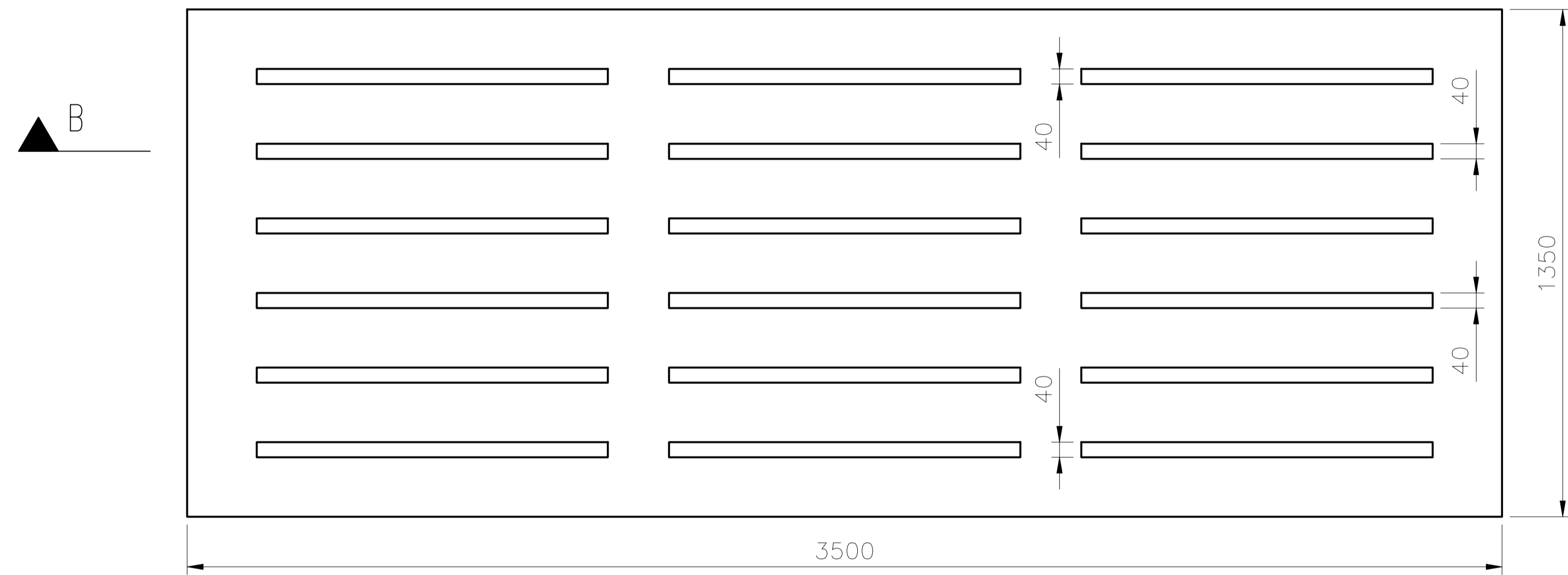
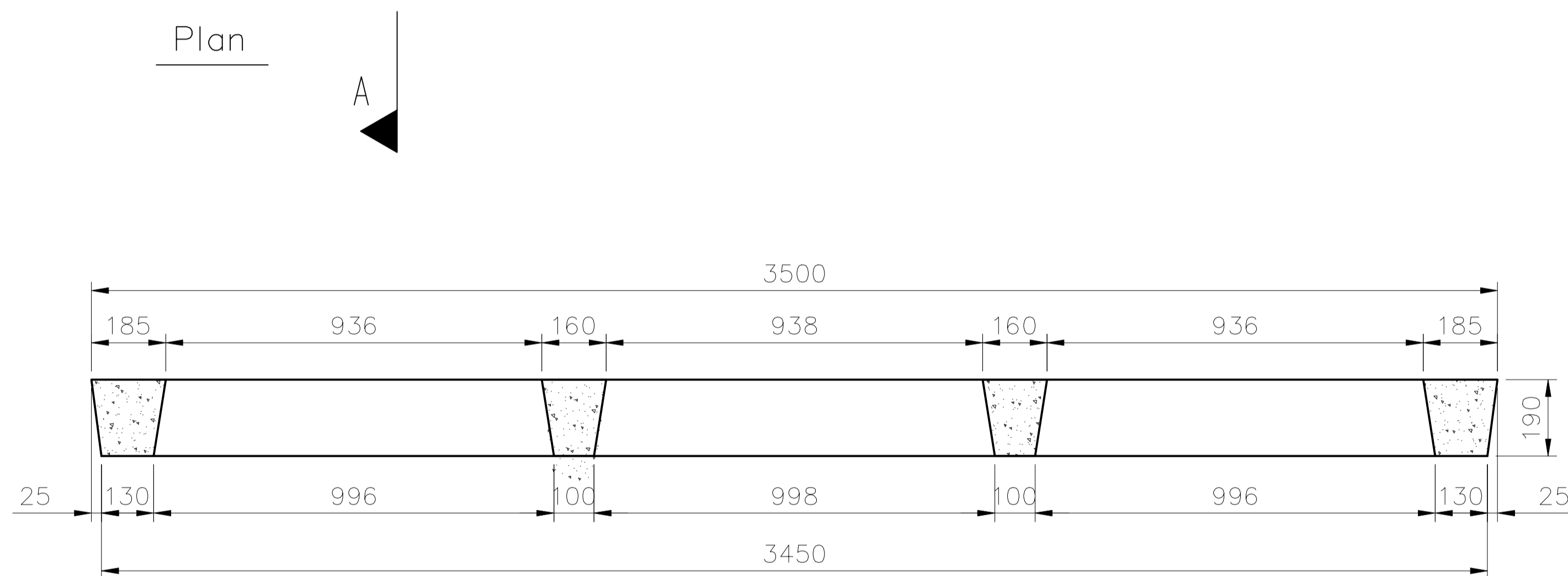


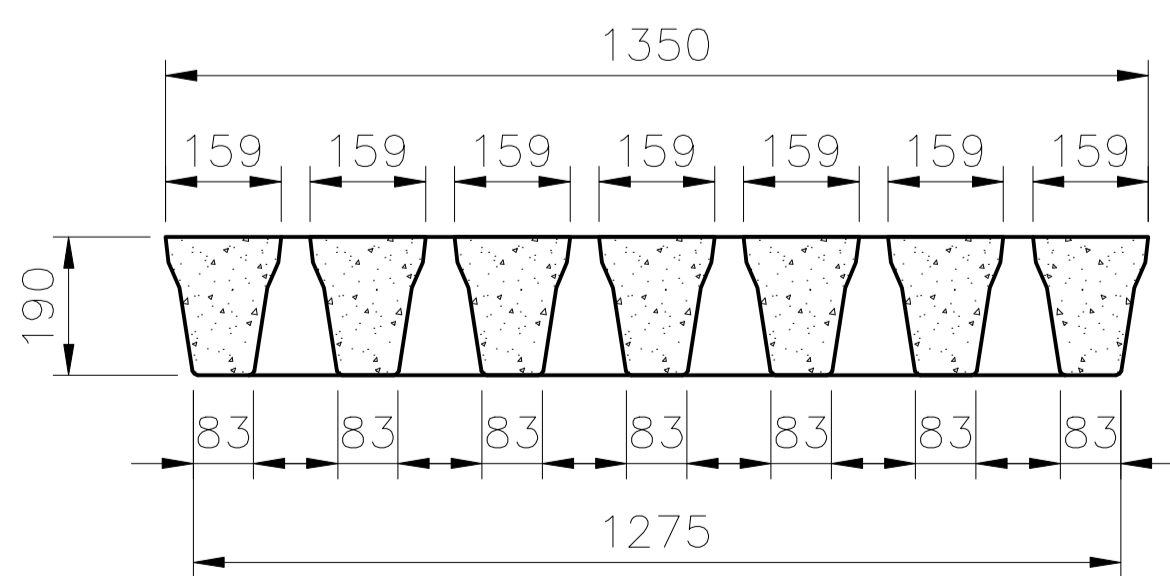
# 11' 6" Cattle Slat



Plan



Section B-B




Section A-A



## NOTES:

1. All products are designed and manufactured to the highest quality and conforms to all British standard specifications BS 8110 and BS 5502, Irish standard specification I.S. 249: 1992 and Department of Agriculture specifications for agriculture buildings and tanks,
2. Concrete design strength – C32/40,
3. Weight of the slat – 1.25 Tonne,
4. Also available for tractor loading,
5. High quality finish and non-slip surface for greater cattle comfort.

| Revision  | Description | By       | Date      |
|---|-------------|----------|-----------|
|   |             |          |           |
|   |             |          |           |
|   |             |          |           |
|   |             |          |           |
| <br>Drumderry, Bunclody, Co. Wexford<br>Ph: +353 5393 77720; fax: +353 5393 76330<br>info@drumderryagg.ie; www.drumderryagg.ie   |             |          |           |
| Dwg Title:  |             |          |           |
| Details of 11'6" cattle slat  |             |          |           |
| Scale:  | 1:10        | Date:    | 8/04/2011 |
| Drawn by:   | K.S.        | Job No.: | DF11      |
| Dwg No.:  | CS06        | Rev.:    | B         |
| <small>Drawings, Specifications, Design Calculations &amp; Measurements supplied by Drumderry Precast/Drumderry Aggregate Ltd. are copyright and shall not be used, copied or issued to third parties for the purposes of design or procurement of alternative quotations except with the written consent of Drumderry Precast/Drumderry Aggregate Ltd.</small> |             |          |           |